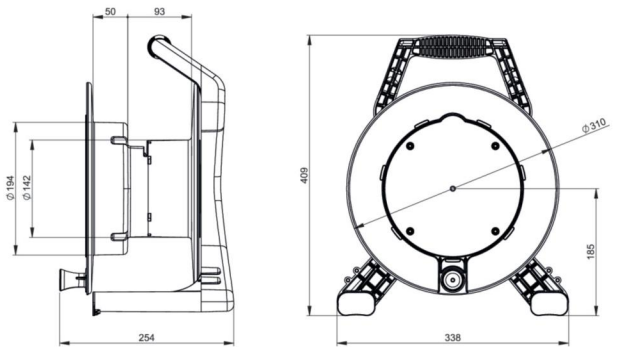


article#	9350235-p
article description	Kabeltrommel XREEL 310 1xCEE 16A 5p 400V,3xSSD 25m 5G2,5 H07RN-F schwarz K2 IP54
description long	Cable Reel XREEL310 Reel (black) with central, internal locking mechanism Protected connecting area Solid carrying rack (black) with ergonomic handle Central Plate with 1 CEE flanged socket straight 16/5 6h (315-6f7) Rated operating voltage: 400V and 3 pcs safety machine sockets national version with self-closing hinged lids and sealing edge (105-0bsw) Rated operating voltage: 250V Rated current: 16A Protection rating: IP54 25m Black cable H07RN-F 5G2.5mm2 CEE plug 16/5 6h IP44 nickel plated (015-6v) XREEL310 installed ready for use complies with RoHS directive 2011/65/EU low voltage directive NSpRI 2014/35/EU UV stability according ISO 4892-2 acc standard IEC/EN 61316 Protection rating complete system: IP54 Conform with BGI608 K2
GTIN (EAN)	9003399330797
country of origin	PL
customs number	85444290
net weight	9.600 kg
packaging quantity	1
minimum order quantity	1

ETIM 9.0	EC000191
Material housing	Plastic
Cable assembly	H07RN-F
Core cross section	2.5 mm ²
Number of cores	5
Number of CEE socket outlets	1
Number of socket outlets with protective contact CEE 7/3 (type F)	3
Type of mains connection	CEE
Cable length	25 m
With mounting frame	True
With thermal overload protection	True
With locking	True
Degree of protection (IP)	IP54
Colour	Black







<https://www.pcelectric.at/shop/en/?func=detail&artr=9350235-p>