



- Smart Relay for use in the OPPLE Smart Lighting System
- Simple wireless control of each type/brand of luminaire
- Compatible with OPPLE Smart Sensors and OPPLE Smart Switches
- Very easy to set up with the OPPLE Smart Lighting App, Smart Connect Box or Smart Web Interface
- Including built-in energy meter, to read out in the app or web user interface
- Complete wireless communication via Bluetooth® Low Energy (BLE)
- Also suitable for control of Class I luminaires



Specifications

Item Code	Item Description
140063564	LEDSmartlight-Switch

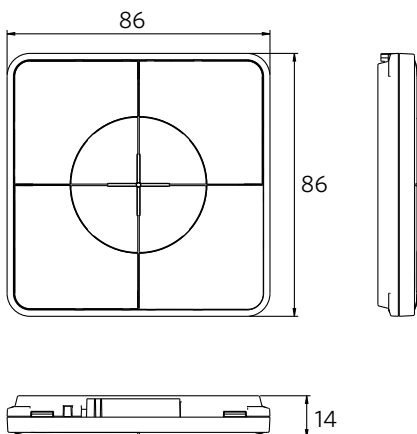
Technical Specifications	
IP-class	IP20
IK-class	IK02
Finishing	White RAL9003
Communication	Oppl Bluetooth® Low Energy Mesh

Electrical Supply	
Nominal voltage	3
Type of battery (incl.)	CR2430
Min. lifespan battery	2 years



Mechanical Properties	
Material housing	PC

Dimensional drawing (mm)



140063564 - LEDSmartlight-Switch

Can be installed using the supplied screws or affixing strips, or directly to the wall socket.

