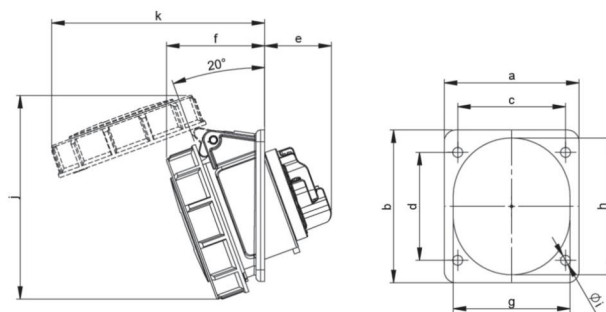


article#	4152-6f87
article description	CEE-flanged socket sloping (75x85mm) 16A 5p 6h IP67
description long	CEE-flanged socket sloping (75x85mm) 16A 5p 6h IP67 housing material: PA6 rated current: 16A number of poles: 5 (3P+N+PE) clock-position: 6h rated voltage/frequency: 200/346V~ - 240/415V~/50+60Hz contacts: brass connection technology: screw terminals dimensions (flange/fixing center): 75x85 mm / 60x60 mm IP protection class: IP67
GTIN (EAN)	9003399770340
country of origin	AT
customs number	85366990
net weight	0.181 kg
packaging quantity	10
minimum order quantity	10

ETIM 9.0	EC001317
IEC-ampereage	16 A
Voltage according to EN 60309-2	400 V (50+60 Hz) red
Number of poles	5
Clock hour position	6 h
Identification colour	Red
Degree of protection (IP)	IP67
Connection system	Screwed terminal
Angle of plug	Angled
Material	Plastic
Contact material	CuZn
Surface treatment contacts	Untreated
Flange size vertical	85 mm
Drill hole distance vertical	60 mm
Flange size horizontal	75 mm
Drill hole distance horizontal	60 mm

a	75 mm
b	85 mm
c	60 mm
d	60 mm
e	39 mm
f	54 mm
g	65 mm
h	76 mm
i	5,5 mm
j	114 mm
k	119 mm
wire flexible	1-2,5 mm ²
wire solid	1-4 mm ²
contact screws	100 Ncm
dismantling length	50 mm
stripping length	10-12 mm
ambient temperature	-25 – 40 °C
temperature resistance	-25 – 80 °C



<https://www.pcelectric.at/shop/en/?func=detail&artnr=4152-6f87>

