



Modular switching power supplies PSL1M

Product designation

Product type designation

Input characteristics

Input type

Single-phase

Rated supply voltage AC

VAC

Multivoltage
100...240

Operating range

AC

min	VAC	90
Max	VAC	264

DC

min	VDC	120
Max	VDC	375

Rated frequency

Hz 50/60

Operational frequency

min	Hz	47
max	Hz	63

Current consumption Max

mA 900

PFC

No

Insulation voltage Input/Output

AC	VAC	3000
DC	VAC	4242

Internal fuse (250VAC)

T2A 250VAC

Output characteristics

Rated output voltage DC

VDC 24

Voltage trimming (potentiometer) DC

min	VDC	24
Max	VDC	28

Rated output current

A 1.5

Rated output power

W 36

Temperature coefficient

%/°C ±0.03

Line adjustment

% ±1

Load adjustment

% ±1

Efficiency

% 84

Overload protection

110...150%

Short-circuit protection

Fold forward

Ripple & noise

mV 50

Parallel connection

Nr. No

Indications

LED indicator for power on

Yes

LED indicator for low voltage

Yes

Connections

Terminals type

Screw

Ambient conditions

Temperature

Operating temperature

min	°C	-40
max	°C	+71

Storage temperature

min	°C	-40
max	°C	+85

Derating

%/°C	2.5%/°C above 56°C
------	-----------------------

Housing

Execution (n° of modules)

3

Material

Plastic

IEC degree of protection

IP20

Dimensions (W x H x D)

mm 53 x 96 x 56.2

Weight

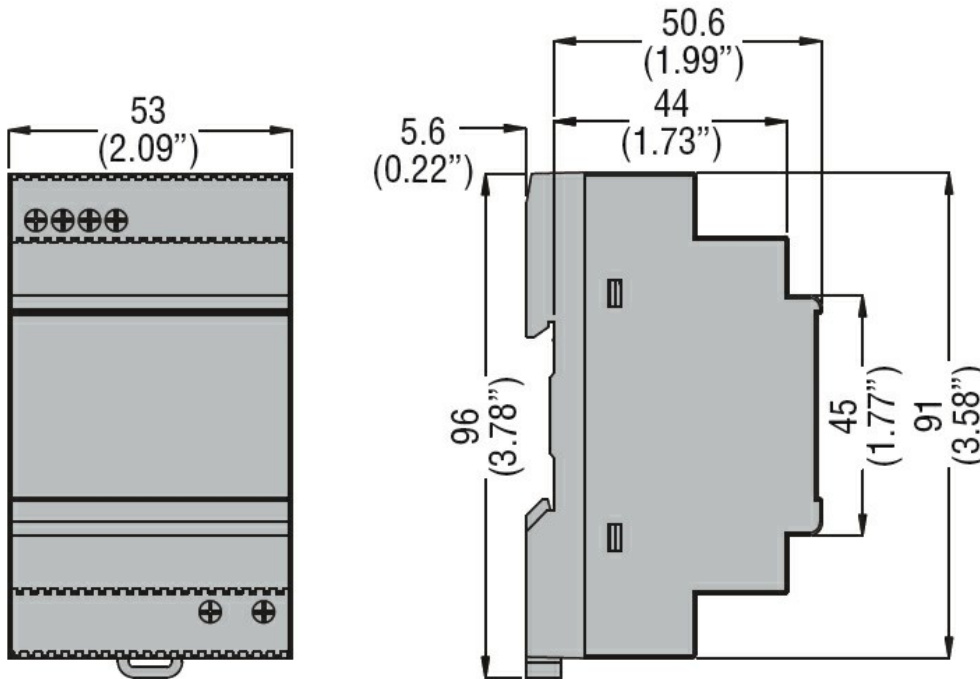
g 248

Installations

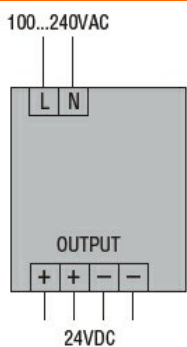
Mounting

On 35mm DIN
rail

Dimensions



Wiring diagrams



Certifications and compliance

Compliance

CSA C22.2 n°14

IEC/EN/BS 61000-6-2

IEC/EN/BS 61000-6-3

IEC/EN/BS 62368-1

UL 508

Certificates

cULus

EAC

RCM

ETIM classification

ETIM 8.0

EC002540 - DC-
power supply