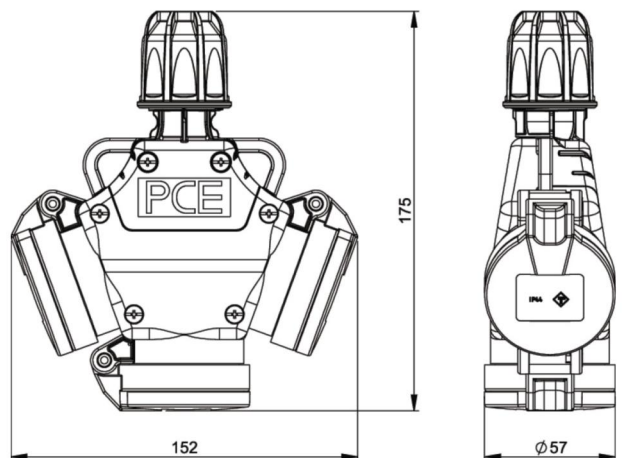
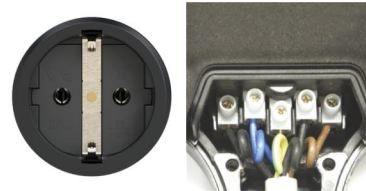


PCE data sheet

article#	253622-s5
article description	3-way connector solid rubber IP44
description long	3-Wege Schutzkontaktkupplung Vollgummi mit Klappdeckel 16A 2p+E 250V IP44 (nach österr./deutsch. System) Einsatz: Gummi (TPE) aussenliegende Zugentlastung 5-polige Anschlussklemme für erschwerte Bedingungen Schutzart: IP44
GTIN (EAN)	9003399322884
country of origin	AT
customs number	85366990
net weight	0.388 kg
packaging quantity	5
minimum order quantity	5

ETIM 8.0	EC000379
Number of socket outlets with protective contact (type F)	3
Material housing	Plastic
Contact material	CuZn
Surface treatment contacts	Nickel-plated
Power supply/connection possibility	Feeder cable with plug
Number of poles mains connection	3
Diameter cable entry	Other
Handling	Hangable
Degree of protection (IP)	IP44
Colour	Other
Height	174 mm
Width	152 mm
Depth	57 mm

wire flexible	1-2,5 mm ²
contact screws	80 Ncm
strain relief	80 Ncm
dismantling length	30 mm
stripping length	7 mm



<https://www.pcelectric.at/shop/en/?func=detail&artnr=253622-s5>



www.manufacturer-safety.info