



Electronic reversing starter, 2.4A  
ME024RD024

Product designation

Product type designation

**Electrical features**

|                                       |    |                       |
|---------------------------------------|----|-----------------------|
| Function                              |    | Reversing starter     |
| Rated operational voltage             | V  | 40...500              |
| Rated frequency                       | Hz | 50/60                 |
| Auxiliary supply voltage              |    | 24VDC                 |
| Rated current AC-3, AC-53a            | A  | 2.4                   |
| Thermal protection                    |    | Integrated, class 10A |
| Thermal trip adjustment range         |    | 0.18...2.4A           |
| Safe torque Off (STO) safety function |    | No                    |

**Digital outputs**

|                         |     |   |
|-------------------------|-----|---|
| Number of outputs       | Nr. | 3   |
| Output type             |     | 1 relay output with C/O contact +2 PNP digital outputs              |
| Output contacts ratings |     | Relay output: 3A 230V AC15, 2A 24V DC13 Digital outputs: 40mA 24VDC |

**Mechanical features**

|                        |                                     |                         |
|------------------------|-------------------------------------|-------------------------|
| Terminals type         |                                     | Screw                   |
| Conductor section      |                                     |                         |
|                        | AWG/kcmil conductor section         |                         |
|                        |                                     | min 24                  |
|                        |                                     | max 14                  |
|                        | IEC                                 |                         |
|                        |                                     | min mm <sup>2</sup> 0.2 |
|                        |                                     | max mm <sup>2</sup> 2.5 |
|                        | Tightening torque for terminals max | Nm 0.6                  |
| Cable stripping length |                                     | mm 8                    |

Operating position

|        |        |                                 |
|--------|--------|---------------------------------|
|        | normal | Vertical                        |
| Fixing |        | 35mm DIN rail (IEC/EN/BS 60715) |
| Weight |        | g 300                           |

**Operations**

|                 |        |           |
|-----------------|--------|-----------|
| Mechanical life | cycles | 15 milion |
| Electrical life | cycles | 50 milion |

**Ambient conditions**

Operating temperature

|     |    |     |
|-----|----|-----|
| min | °C | -25 |
| max | °C | +70 |

Storage temperature

|     |    |     |
|-----|----|-----|
| min | °C | -25 |
| max | °C | +80 |

Relative humidity

|   |         |
|---|---------|
| % | 20...90 |
|---|---------|

**Resistance & Protection**

Rated insulation voltage Ui

|   |     |
|---|-----|
| V | 500 |
|---|-----|

Rated surge voltage

|    |   |
|----|---|
| kV | 6 |
|----|---|

Frontal IP degree

|      |
|------|
| IP20 |
|------|

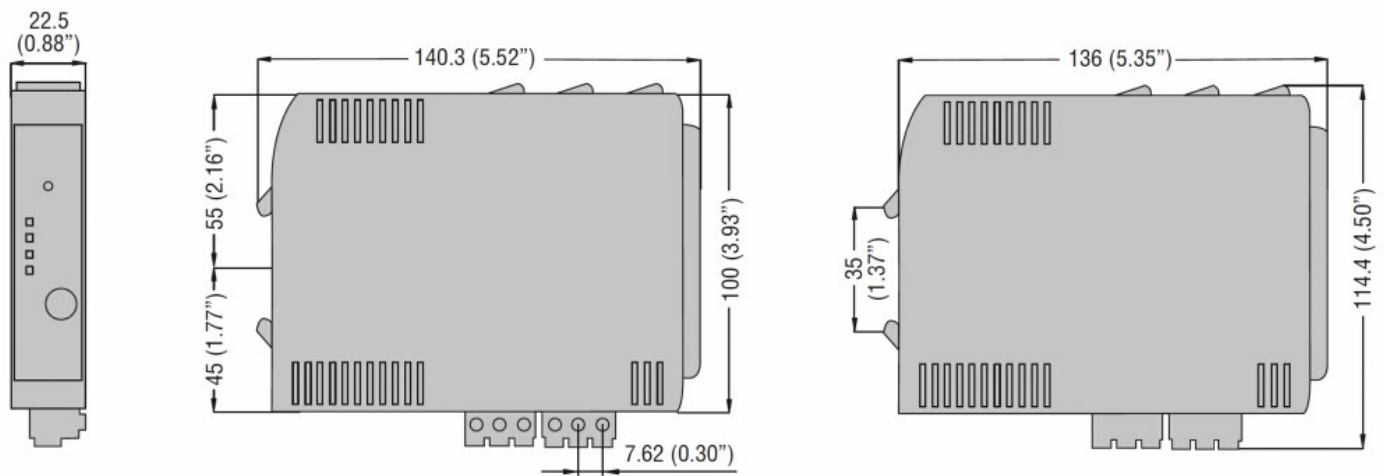
Terminals IP degree

|      |
|------|
| IP20 |
|------|

Pollution degree

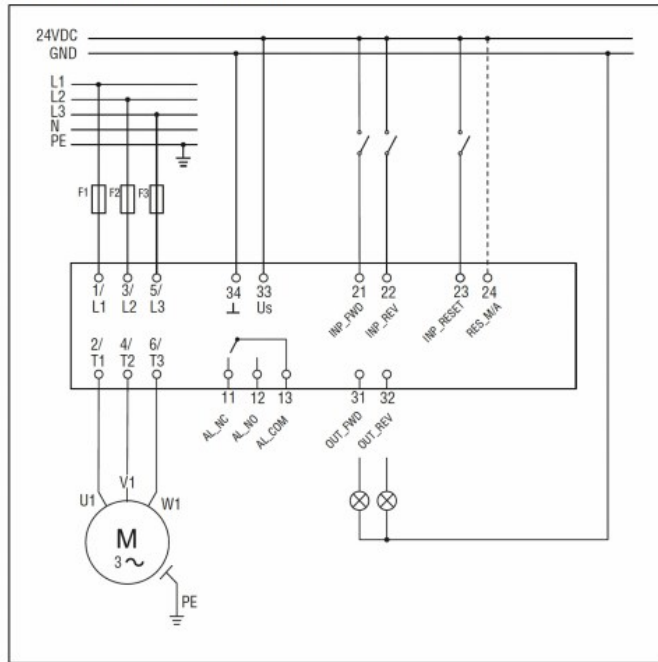
|   |
|---|
| 2 |
|---|

**Dimensions**

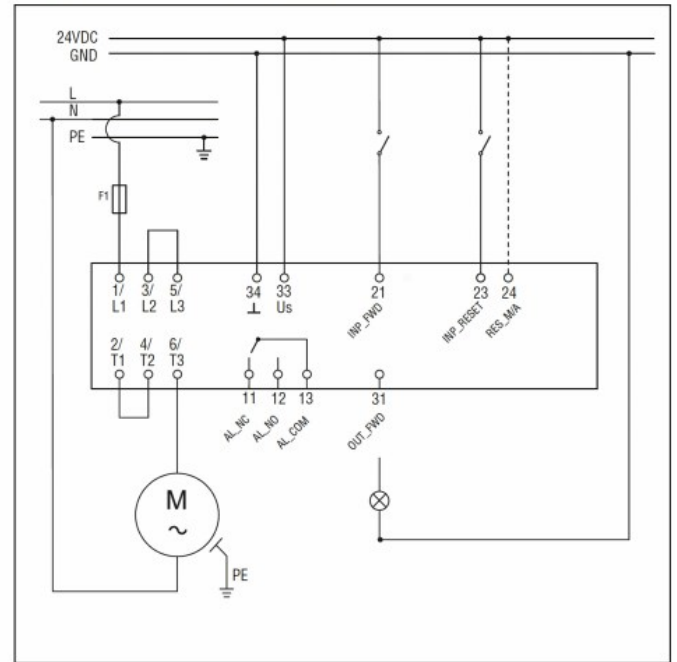


**Wiring diagrams**

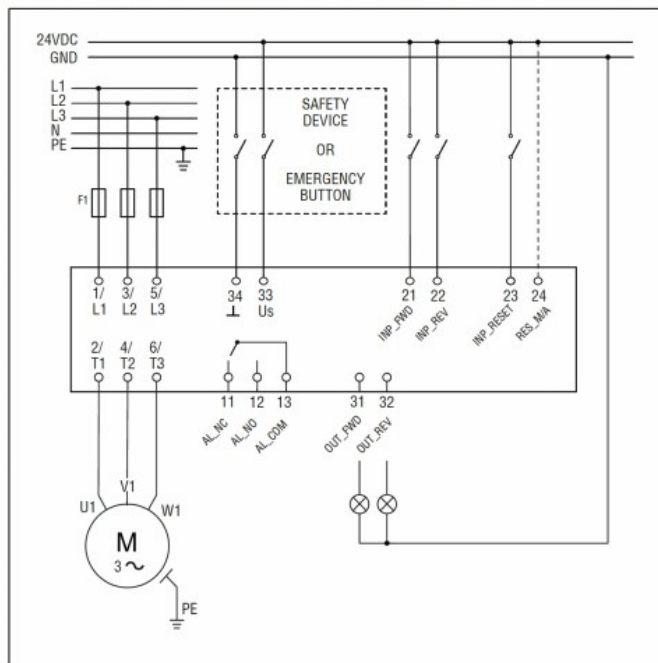
Wiring diagram for three-phase motors



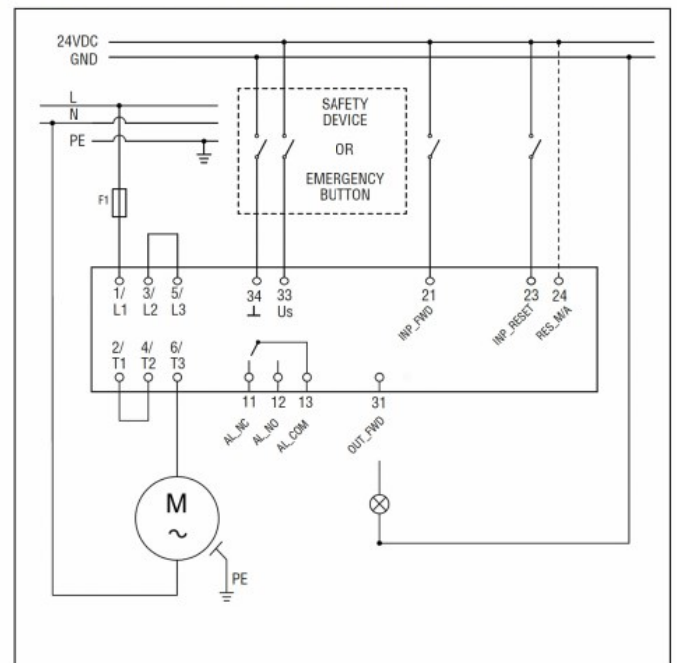
Wiring diagram for single-phase motors



Wiring diagram for three-phase motors for safety applications



Wiring diagram for single-phase motors for safety applications



**Certifications and compliance**

**Compliance**

CSA C22.2 n° 60947-4-2  
IEC/EN/BS 60947-4-2  
UL 60947-4-2

**Certificates**

cULus

**ETIM classification**

ETIM 8.0

EC001037 -  
Motor starter /  
Motor starter  
combination