



Ledinaire Wall-mounted WL060V

WL060V LED17S/830 PSU MDU II WH

830 warm white - Power supply unit - Safety class II - Movement detection unit - White

The Ledinaire range contains a selection of popular off-the-shelf LED luminaires, each of which come with the high Philips quality levels and competitive price. Reliable, energy-efficient and affordable – just what you need.

Product data

| General information | |
|-------------------------------|-----------------------------------|
| Beam angle of light source | 120 ° |
| Light source color | 830 warm white |
| Light source replaceable | No |
| Number of gear units | 1 unit |
| Driver/power unit/transformer | Power supply unit |
| Driver included | Yes |
| Optic type | Beam angle 120° |
| Luminaire light beam spread | 120° |
| Embedded control | Movement detection unit |
| Control interface | - |
| Connection | Push-in connector 3-pole |
| Cable | - |
| Protection class IEC | Safety class II |
| Glow-wire test | Temperature 650 °C, duration 30 s |
| Flammability mark | - |
| CE mark | CE mark |
| ENEC mark | - |

| Warranty period | 3 years |
|--|--|
| Remarks | *-Per Lighting Europe guidance paper "Evaluating performance of LED based luminaires - January 2018": statistically there is no relevant difference in lumen maintenance between B50 and for example B10. Therefore, the median useful life (B50) value also represents the B10 value. |
| Constant light output | No |
| Number of products on MCB of 16 A type B | 50 |
| EU RoHS compliant | Yes |
| Operating and electrical | |
| Input Voltage | 220-240 V |
| Input Frequency | 50 to 60 Hz |
| Inrush current | 3.28 A |
| Inrush time | 0.044 ms |

Ledinaire Wall-mounted WLO60V

| | |
|--|--------------------------------------|
| Power Factor (Min) | 0.85 |
| Controls and dimming | |
| Dimmable | No |
| Mechanical and housing | |
| Housing Material | Polypropylene |
| Reflector material | Polycarbonate |
| Optic material | Polymethyl methacrylate |
| Optical cover/lens material | Polymethyl methacrylate |
| Fixation material | - |
| Optical cover/lens finish | Opal |
| Overall length | 345 mm |
| Overall width | 345 mm |
| Overall height | 97 mm |
| Overall diameter | 345 mm |
| Color | White |
| Dimensions (Height x Width x Depth) | 97 x 345 x 345 mm |
| Approval and application | |
| Ingress protection code | IP44 [Wire-protected, splash-proof] |
| Mech. impact protection code | IK03 [0.3 J] |
| Sustainability rating | - |
| Initial performance (IEC compliant) | |
| Initial luminous flux (system flux) | 1700 lm |
| Luminous flux tolerance | +/-10% |
| Initial LED luminaire efficacy | 90 lm/W |
| Init. Corr. Color Temperature | 3000 K |
| Init. Color Rendering Index | >80 |

| | |
|-----------------------------|----------------------|
| Initial chromaticity | (0.43, 0.40) SDCM ≤5 |
| Initial input power | 19.5 W |
| Power consumption tolerance | +/-10% |

Over time performance (IEC compliant)

| | |
|---|---------|
| Driver failure rate at 5000 h | 0.005 % |
| Control gear failure rate at median useful life 50000 h | 2.24 % |
| Lumen maintenance at median useful life* 50000 h | L70 |

Application conditions

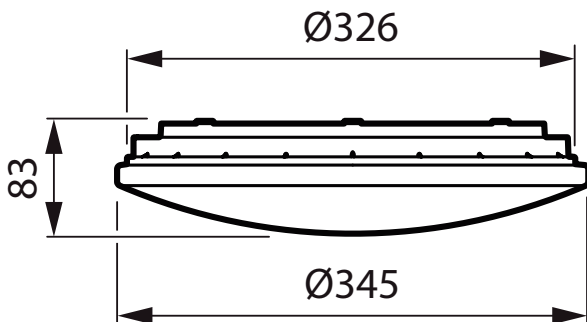
| | |
|------------------------------------|----------------|
| Ambient temperature range | -20 to +40 °C |
| Performance ambient temperature Tq | 25 °C |
| Maximum dim level | Not applicable |
| Suitable for random switching | Not applicable |

Product data

| | |
|---------------------------------|---------------------------------|
| Full product code | 871016333913999 |
| Order product name | WLO60V LED17S/830 PSU MDU II WH |
| EAN/UPC - Product | 8710163339139 |
| Order code | 911401802480 |
| Numerator - Quantity Per Pack | 1 |
| Numerator - Packs per outer box | 5 |
| Material Nr. (12NC) | 911401802480 |
| Net Weight (Piece) | 0.640 kg |



Dimensional drawing



WLO60V LED17S/830 PSU MDU II WH

Ledinaire Wall-mounted WLO60V

