

Motion detector - Professional Line

IS 3180

COM1 - surface, sq.
EAN 4007841 009113
Article number 009113



infrared sensor
180°



max. 20 m

2000 W

2000 W max. (LED-
ready)



IP54



2 - 1000 lux



5 sec - 15 min



manual override 4h



Ideal 2 m

Teach

Teach mode



energy saving

Function description

For large areas. Infrared motion detector IS 3180 for indoors and out, ideal for watching over large areas, ideal installation height 2 m, 180° angle of coverage, reach 20 m max. or 8 m max. (tangential), large terminal compartment for easy installation, heavy-duty relay for high switching capacity.

IS 3180

COM1 - surface, sq.
EAN 4007841 009113
Article number 009113



Technical specifications

Dimensions (L x W x H)	65 x 95 x 95 mm	LED lamps > 8 W	600 W
Manufacturer's Warranty	5 years	Capacitive load in μF	176 μF
Settings via	Remote control, Potentiometers, Smart Remote	Technology, sensors	passive infrared, Light sensor
With remote control	No	Mounting height	1,80 – 2,50 m
Version	COM1 - surface, sq.	Mounting height max.	2,50 m
PU1, EAN	4007841009113	Optimum mounting height	2 m
Type	Motion detectors	Detection angle	180 °
Application, place	Outdoors, Indoors	Angle of aperture	90 °
Application, room	corridor / aisle, function room / ancillary room, stairwell, multi-storey / underground car park, outdoors, all round the building, courtyard & driveway, Indoors	Sneak-by guard	Yes
Colour	white	Capability of masking out individual segments	Yes
Colour, RAL	9003	Electronic scalability	No
Includes corner wall mount	No	Mechanical scalability	No
Installation site	wall, corner	Reach, radial	$r = 3 \text{ m (14 m}^2) / r = 4 \text{ m (25 m}^2)$
Installation	Surface wiring, Wall, corner	Reach, tangential	$r = 6 \text{ m (57 m}^2) / r = 20 \text{ m (628 m}^2)$
IP-rating	IP54	Switching zones	448 switching zones
Ambient temperature	-20 – 50 °C	Functions	Normal / test mode, Manual ON / ON-OFF
Material	Plastic	Twilight setting	2 – 1000 lx
Mains power supply	220 – 240 V / 50 – 60 Hz	Time setting	5 s – 15 Min.
Switching output 1, resistive	2000 W	Basic light level function	No
Switching output 1, number of LEDs / fluorescent lamps	8 pcs.	Main light adjustable	No
Fluorescent lamps, electronic ballast	1500 W	Twilight setting TEACH	Yes
Fluorescent lamps, uncorrected	1000 VA	Constant-lighting control	No
Fluorescent lamps, series-corrected	400 VA	Interconnection	Yes
Fluorescent lamps, parallel-corrected	400 VA	Type of interconnection	Master/master
Switching output 1, low-voltage halogen lamps	2000 VA	Interconnection via	Cable
LED lamps < 2 W	100 W	Interconnection, number	max. 10 sensors
LED lamps > 2 W < 8 W	300 W		

Accessories

EAN 4007841 009151	Remote control Smart Remote
EAN 4007841 559410	Service remote control RC8
EAN 4007841 035174	Corner wall mount 3000

Motion detector - Professional Line

IS 3180

COM1 - surface, sq.
EAN 4007841 009113
Article number 009113



Accessories

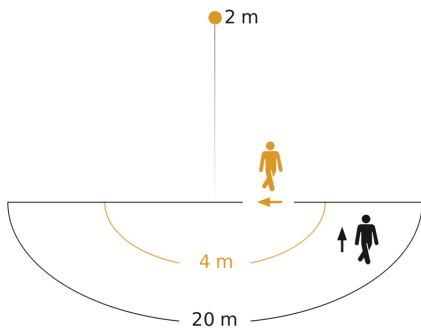
EAN 4007841 056711

Black cover for IR-sensors

IS 3180

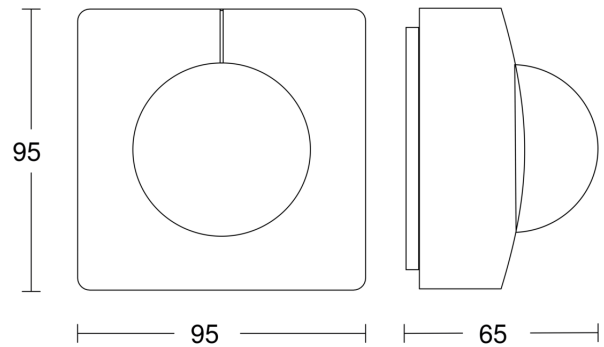
COM1 - surface, sq.
EAN 4007841 009113
Article number 009113

Detection Zone

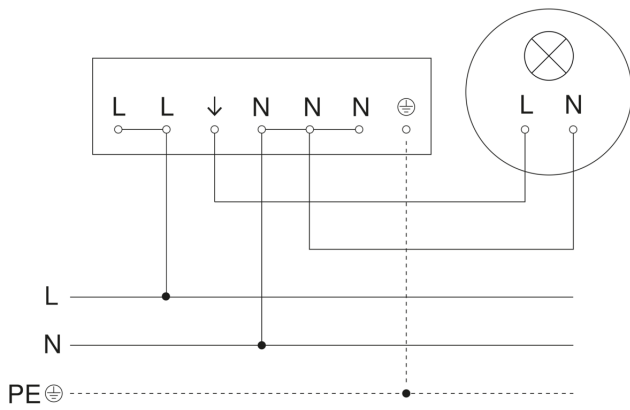


Possible mounting height: 1,80 m - 2,50 m
Orange: radial
Black: tangential

Dimension Drawing



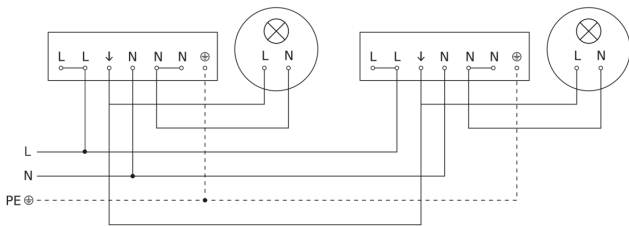
Master circuit diagram



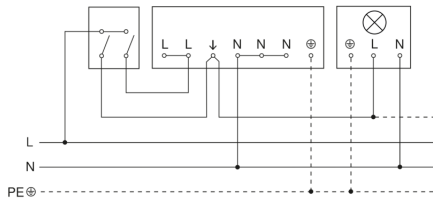
IS 3180

COM1 - surface, sq.
EAN 4007841 009113
Article number 009113

Master/slave interconnection circuit diagram



Connection using two-circuit switch for manual and automatic operation



Connection of 4-fold push-button coupler to DALI2 APC

